

BL2002LPR

LPR bullet camera, 8-32 mm motorized lens, 2MP, H.265/H.264

DESCRIPTION

The BL2002LPR is an intelligent 2-megapixel IP bullet camera with built-in LPR. The licence plate recognition uses of the latest AI algorithms ensuring the highest accuracy possible. The built-in IR illumination adapts to the lighting environment for the best and balanced exposure of the image up to 100 m. The long range 8 to 32 mm motorized autofocus lens allows for easy setup and ensures sharp and clear images. The camera has a wide range of intelligent video analytics features to detect numerous events. Intelligent video encoding ensures good image quality and low storage costs.

FEATURES

1/1.8 ultra-low light CMOS imager

2MP @ 60 fps (1920x1080)

Motorized zoom (8 - 32 mm)

AI: LPR, perimeter and exception detection

Multi-codec multi-stream: 6x H.265, H.264, MJPEG

140 dB triple exposure WDR

Built-in IR illuminator (100 m)

IP67, IK10

ONVIF Profile S and G



Description

License plate recognition

With an accuracy of 98% the BL2002LPR captures license plates in both day and night. It can create alarms for both white listed and black listed license plates. The camera can be used to read license plates in multiple lanes and in both directions. Instead of being a dedicated LPR camera, the BL2002LPR can be used simultaneously as CCTV monitoring camera and perimeter intrusion detector.

Multi-encoder & multi-streaming

The camera is capable of simultaneous streaming 5 different H.265, H.264 and MJPEG streams. Streaming 2-megapixel full-HD (1920 x 1080) at 60 fps. Multiple combinations of resolution, frame rate, and encoding can be configured to satisfy different live viewing and recording scenarios.

High Efficiency Video Coding (HEVC)

H.265 or HEVC is a video compression standard, the successor of H.264. In comparison H.265 offers about double the compression ratio at the same level of video quality, or substantially improved video quality at the same bit rate. Thus saving bandwidth and recording space.

ONVIF

Multiple options are available to easily integrate the BL2002LPR to a video management system. In support of open standards, the BL2002LPR is compliant with ONVIF (Profile S / Profile G).

Image enhancement

The BL2002LPR features a set of tools to enhance the image quality, such as smart IR, Defog, BLC and 3D noise reduction.

Ease of installation

The BL2002LPR is fitted with a built-in junction box to make installation easy and dismisses the need of an external junction box.

Camera	
Image sensor	1/1.8" Ultra-low light CMOS
Lens	Motorized 8 to 32 mm, F/1.6
Focus	Autofocus, Semi-auto, manual
Field of view	42.5° to 13.4° horizontal,
Min. illumination	Color: 0.002 lux, B/W: 0.0004 lux (F/1.2 AGC ON)
Day/Night	IR-cut filter with auto switch
Built-in IR illuminator	Working distance: Up to 100 m Wavelength: 850 nm
WDR	140 dB
Shutter speed	1 s to 1/100,000 s
Slow shutter	Supported

Video	
Video compression	H.265 MP, H.264 HP/MP/BP, MJPEG
Video bit rate	32 Kbps 16 Mbps
Max resolution	1920x1080 at 60 fps (704x576 @ 25/30fps for MJPEG)
Frame rate	25/30/50/60 fps
Number of simultaneous streams	10
- Main (H.265/H.264 60fps)	1920x1080, 1280x960, 1280x720
- Sub (H.265/H.264/MJPEG 25/30fps)	704x576, 640x480
- 3rd (H.265/H.264/MJPEG 25/30fps)	1920x1080, 1280x960, 1280x720, 704x576, 640x480
- 4th (H.265/H.264/MJPEG 25/30fps)	1920x1080, 1280x720, 704x576, 640x480
- 5th (H.265/H.264/MJPEG 25/30fps)	704x576, 640x480
- Cust. (H.265/H.264/MJPEG 25/30fps)	1920x1080, 1280x720, 704x576, 640x480
	listed max resolutions cannot work at the same time
Image enhancement	BLC, HLC, 3D DNR, EIS, Defog, Lens correction
Image setting	Rotate mode, saturation, brightness, contrast, sharpness
Day/Night switch	Auto/Scheduled/Triggered by Alarm In/Triggered by video
Video output	1 Vp-p; BNC (75)

Network	
Protocols	TCP/IP, ICMP, HTTP, HTTPS, FTP, DHCP, DNS, DDNS, RTP, RTSP, RTCP, PPPoE, NTP, UPnP, SNMP, SMTP, IGMP, 802.1x, QoS, IPv4/v6, Bonjour, ONVIF, PSIA, CGI
Security	3-level user authentication, 802.1x, IP address filtering, digest authentication
API	ONVIF (Profile S, Profile G), Siquira Programming Interface
Communication interface	1x 10/100/1000 Base T/TX (RJ-45)

License Plate Recognition	
Accuracy	Capture rate > 95%
Max Vehicle Speed	60 km/h
Detected Distance	7.2-28.9 meters
Blacklist/Whitelist	Max. 10,000 records

License Plate Recognition

Missing detection	Support
Direction Recognition	Support
Supported Country	Algeria, Angola, Argentina, Australia, Austria, Bahrain, Bolivia, Brazil, Burma, Cambodia, Canada, Chile, Colombia, Costa Rica, Croatia, Czech Republic, Dominica, Ecuador, Egypt, El Salvador, Ethiopia, France, Germany, Ghana, Greece, Guatemala, Hongkong, Hungary, Indonesia, Iraq, Ireland, Isreal, Italy, Ivory Coast, Jordan, Kenya, Kuwait, Kyrgyzstan, Laos, Lebanon, Macao, Macedonia, Malaysia, Mauritius, Mexico, Morocco, New Zealand, Nigeria, Oman, Pakistan, Panama, Paraguay, Peru, Philippines, Poland, Qatar, Russia, Saudi Arabia, Senegal, Sierra Leone, Singapore, Slovakia, South Africa, South Korea, Spain, Switzerland, Tanzania, Thailand, The Netherlands, Trinidad and Tobago, Tunisia, Turkey, Uganda, UK, United Arab Emirates(Abu Dhabi, Al fujayrah, Dubai, Ras Al Khaimah, Ajman, Sharjah, Umm al qaiwain), United States, Uruguay, Vietnam, Zambia, Zimbabwe

Intelligent Features

Line crossing detection	Cross a user-defined virtual line, unidirectional or bidirectional
Intrusion detection	Enter and loiter in a user-defined region
Region entrance	Enter a user-defined region
Region exiting	Exit from a user-defined region
Unattended baggage	Objects left in a user-defined region
Object removal	Objects removed from a user-defined region
Exception detection	Scene change detection, Defocus detection
Detection/Recognition	Face Detection, License Plate Recognition

Alarm I/O

Alarm trigger	Motion detection, Tampering alarm, Network disconnect, IP address conflict, illegal login, disk full, disk error, License plate in white or black list
Alarm in	2x input
Alarm out	2x output (up to 24 Vdc 1 A or 110 Vac 500 mA)

Storage

Networked storage	NAS (NFS, SMB/CIFS), ANR
On-board storage	Built-in micro SD/SDHC/SDXC slot, up to 256 GB

Powering

Power supply	12 Vdc 20% (terminal block), PoE (802.3at class 4)
Power consumption	1.2 A max, Max. 14 W

Environmental

Ingress protection level	IP67
Impact protection	IK10
Operating temperature	-30 °C to +60 °C (-22 °F to +140 °F)
Relative humidity	+5% to 100%

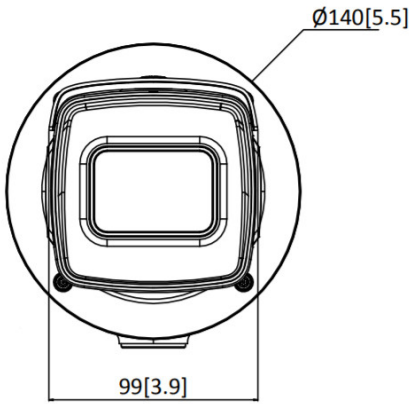
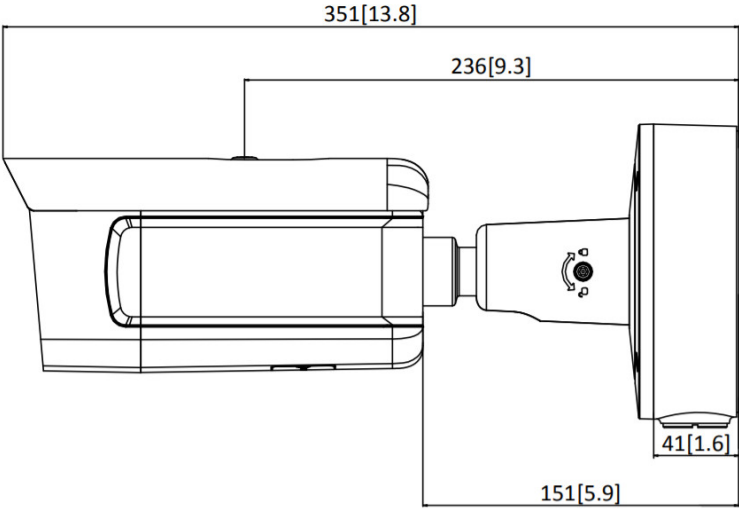
Housing

Specs



Housing	
Material	Die cast aluminum
Dimensions	diameter 140 x 351 mm (5.5" x 13.8"),
	Package: 405 x 190 x 180 mm, (15.9" x 7.5" x 7.1")
Weight	Approx. 2.5 kg (5.51 lbs.)
	Package: 2.75 kg (6.06 lb.)
Color	RAL 9003 (signal white)
Ordering information	
BL2002LPR	LPR bullet camera, 8-32 mm motorized lens, 2MP, H.265/H.264

DIMENSIONS IN MM



RELATED



Siqura Fixed Camera Accessories
Mounting kits for fixed dome and bullet camera