

# FD2002M1-EI

Fixed dome, 2.8-12 mm motorized lens, 2MP, H.265/H.264

## DESCRIPTION

The FD2002M1-EI is a 2-megapixel IP fixed dome camera providing clear images in any situation. A wide angle 2.8 to 12 mm motorized autofocus lens allows for easy setup and ensures sharp and clear images. The camera has a wide range of intelligent video analytics features to detect numerous events. Intelligent video encoding ensures good image quality and low storage costs.

## FEATURES

---

1/2.8 ultra-low light CMOS imager

---

2MP @ 25/30 fps (1920x1080)

---

Motorized zoom (2.8 - 12 mm)

---

120 dB WDR

---

Built-in IR illuminator (30 m)

---

Intelligent VCA

---

Multi-codec multi-stream: H.265,  
H.264, MJPEG

---

IP67, IK10

---

ONVIF Profile S and G

---



## Description

### Multi-encoder & multi-streaming

The camera can support dual streaming of H.265, H.264 or MJPEG. Multiple combinations of resolution, frame rate, and encoding can be configured to satisfy different live viewing and recording scenarios.

### High Efficiency Video Coding (HEVC)

H.265 or HEVC is a video compression standard, the successor of H.264. In comparison H.265 offers about double the compression ratio at the same level of video quality, or substantially improved video quality at the same bit rate. Thus saving bandwidth and recording space.

### ONVIF

Multiple options are available to easily integrate the FD2002M1-EI to a video management system. In support of open standards, the FD2002M1-EI is compliant with ONVIF (Profile S / Profile G).

### Video analytics

The camera features an extensive set of intelligent VCA to assist the operator detecting any anomalies. This camera additionally features behavior analysis and face detection.

### Image enhancement

The FD2002M1 features a set of tools to enhance the image quality, such as smart IR, BLC and 3D noise reduction.

### Ease of installation

The FD2002M1-EI is fitted with a built-in junction box to make installation easy and dismisses the need of an external junction box.

Camera	
Image sensor	1/2.8" Ultra-low light CMOS
Lens	Motorized 2.8 to 12 mm, F/1.4, DC-iris
Focus	Autofocus
Field of view	105° to 35° horizontal, 56° to 20° vertical
Minimum illumination	0.0068 lux color; 0.0013 lux (b/w); 0 lux with IR (F/1.4)
Day/Night	IR-cut filter with auto switch
IR distance	Up to 30 m
IR illuminator wavelength	850 nm
Wide dynamic range (WDR)	120 dB
Shutter speed	1/3 s to 1/100,000 s
Slow shutter	Supported

Video	
Video compression	H.265 MP, H.264 MP/HP, MJPEG
Video Output	512 Kbps 24 Mbps
Region of interest	1 region per stream
Max. resolution	1920x1080 at 30 fps (640x360 for MJPEG)
Frame rate	25/30 fps
Number of simultaneous streams	3
- Main stream	1920x1280@25/30fps; 1280x960@25/30fps; 1280x720@25/30fps; 704x576@25fps or 704x480@30fps
- Sub stream	640x480@25/30fps; 640x360@25/30fps; 352x288@25fps or 352x240@30fps
- Third Stream*	1920x1280@25/30fps; 1280x720@25/30fps; 640x360@25/30; 352x288@25fps or 352x240@30fps
Image enhancement	3D DNR
Image setting	Rotate mode**, Saturation, Brightness, Contrast, Sharpness, Backlight Compensation, Highlight Compensation, WDR
Day/Night switch	Auto/Scheduled/Triggered by Alarm In
Privacy mask	Yes
Video output	1 Vp-p; 2-pin to BNC patch cable (For test/installation only)
Note*	Enabling the Third-Stream, disables the face detection.
Note**	The combination WDR and rotation limits the frame rate to 20 fps

Network	
Protocols	TCP/IP, UDP, ICMP, HTTP, HTTPS, FTP, DHCP, DNS, DDNS, RTP, RTSP, RTCP, PPPoE, NTP, UPnP, SNMP, SMTP, IGMP, 802.1x, QoS, IPv4/v6, Bonjour
Security	3-level user authentication, 802.1x, Watermark, IP address filtering
API	ONVIF (Profile S, Profile G), PSIA, ISAPI, Siqua Programming Interface
Communication interface	1x 10/100 Base T/TX (RJ-45)

Audio	
Audio	1x 3.5 mm Audio in (Line in) ; 1x 3.5 mm Audio out interface

# Specs



## Audio

Compression	G.711, G.726, MP2L2
Enhancement	Environmental noise cancellation

## Analytics

Behavior analytics	Line Crossing Detection, Loitering Detection, Object Abandoned, Object Removal
Face detection	supported

## Alarm I/O

Alarm trigger	Motion detection, Tampering alarm, Network disconnect, IP address conflict, illegal login, disk full, disk error, Alarm I/O
Alarm in	1x input
Alarm out	1x output (up to 24 Vdc 1 A or 110 Vac 500 mA)

## Storage

Networked storage	NAS (NFS, SMB/CIFS), ANR
On-board storage	Built-in micro SD/SDHC/SDXC slot, up to 256 GB

## Powering

Power supply	12 Vdc 25% (terminal block), PoE (802.3at)
Power consumption	1.2 A max, Max. 14.5W

## Environmental

Ingress protection level	IP67
Impact protection	IK10
Operating temperature	-30 °C to +60 °C (-22 °F to +140 °F)
Relative humidity	+5% to 100%

## Housing

Material	Die cast aluminium
Dimensions	diameter 153.4 x 133.1 mm (6.04" 5.24")
Weight	1287 g (2.84 lbs)
Color	RAL 9003 (signal white)

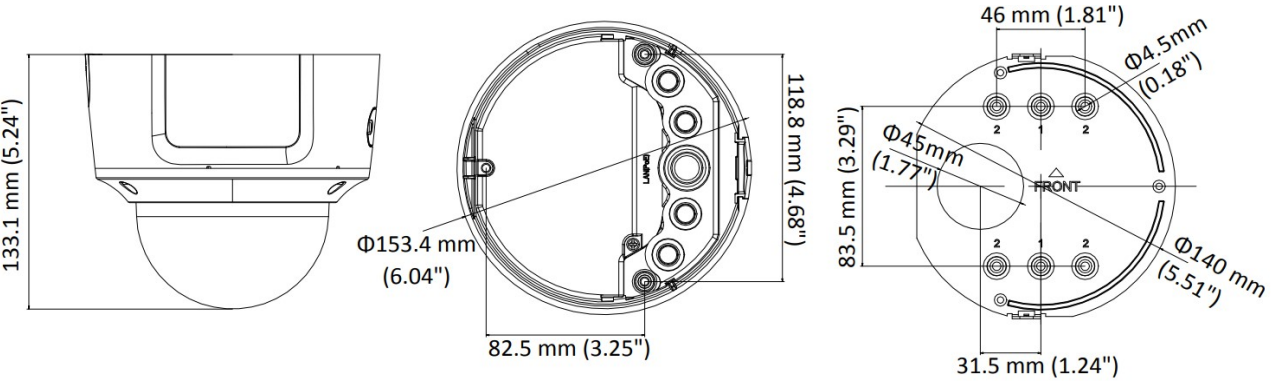
## Ordering information

FD2002M1-EI	Fixed dome, 2.8-12 mm motorized lens, 2MP, H.265/H.264
-------------	--

## Siqura Accessories

PM10	Pole mount for BL/FD2000 series cameras
WM20	Corner mount for BL/FD2000 series cameras
WM21	Wall mount for FD2002/2005
CM21	Ceiling pendant mount for FD2002/2005
CM22	In-ceiling mount for FD2002M1-EI and FD2005M1-EI

DIMENSIONS IN MM



## RELATED

---



### **Siqura Fixed Camera Accessories**

Mounting kits for fixed dome and bullet camera

---