

SA-FIX W SERIES

316L all weather fixed IP camera with wiper

DESCRIPTION

The SA-FIX W camera housing is a rugged corrosion proof camera housing designed for use in onshore, offshore, marine and heavy industrial environments. The camera housing is constructed from electro-polished 316L stainless steel for maximum corrosion protection and is fitted with an 316L sun-shield, a thermostatically controlled heater element, and a integrated wiper. The housing is not sold separately, it is only available in combination with a Siqura daylight camera module, such as the BC822v2H3-AS, and an interface (INT-RJ/SM/MM).

FEATURES

Corrosion protected 316L stainless-steel

Integrated wiper

Integrated power supply (24, 115 or 230 Vac)

Low maintenance

Integrated heater

Electro-polished 316L sun-shield included

Washer optional



Description

Corrosion free 316L construction

The SA-FIX W housing is suited to be used in salty or sulfur rich environments. 100% of the camera housing is made of corrosion proof 316L steel. The integrated wiper in combination with the optional washer tank makes this camera ideal for marine applications.

Mechanical

Ingress protection rating	IP66/ IP67
Body material	Electro-polished 316L stainless steel
Sunshield	Standard
Operating temperature	-20 °C to +75 °C (-4 °F to +167 °F)
Cable entry	2x M20
Weight	8 kg

Electrical

Power rating	SA-FIX24W	SA-FIX115W	SA-FIX230W
	24 Vac +/-10%	115 Vac +/-10%	230 Vac +/-10%
	50/60Hz	50/60Hz	50/60Hz
Internal Heater	Standard		
- Heater control	On:12°C +/- 4°C; Off: 20°C +/- 3°C		
- Heater power dissipation	10 W		
Wiper	Standard		
- Wiper dissipation	6 W		
Washer	Optional (SA-WP10-10m-VSF)		

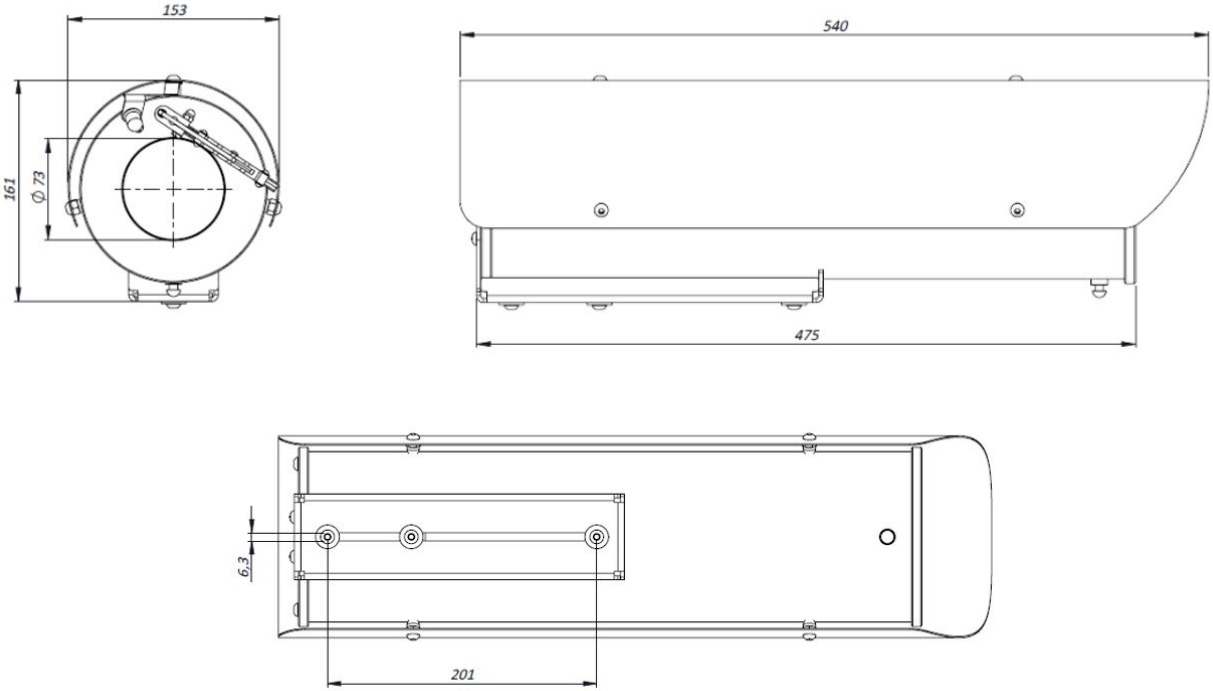
Ordering information

SA-FIX24W	Safe Area Fixed Camera 316L 24VAC, Wiper
SA-FIX115W	Safe Area Fixed Camera 316L 115VAC, Wiper
SA-FIX230W	Safe Area Fixed Camera 316L 230VAC, Wiper

Maintenance kits

EX/SA-MK Wiper	Maintenance kit for the wiper: Rubber blade and support
EX/SA-Wiper	Replacement for Stainless steel wiper (complete assembly)
SA-MK F	Maintenance kit SA Fixed camera: O-Ring, screws, 2 cable glands, desiccant bags

SA-FIX W DIMENSIONS IN MM



Housing	Optical camera	Thermal camera			Interface				
	BC822v2H3-SA	TC(R1)-336	TC(R1)-640	INT-RJ	INT-RJ5 INT-RJ10	INT-SM	INT-SM5 INT-SM10	INT-MM	INT-MM5 INT-MM10
SA-FIX24	✓			✓		✓		✓	
SA-FIX24W	✓			✓		✓		✓	
SA-FIX24T	✓	✓	✓	✓		✓		✓	
SA-PTZ24	✓			✓					
SA-PTZ24T		✓	✓	✓					
SA-PTZ24D	✓	✓	✓	✓					

This chart also applies to the SA cameras versions for 115 Vac and 230 Vac.

RELATED



Siqua SA mounting accessories

316L Mounting accessories for the SA-FIX and SA-PTZ series



Siqua INT-RJ / INT-SM / INT-MM

Network Interface and cable tail of the Siqua SA or EX cameras



Siqua BC822v2H3-AS

Assembly 33x zoom IP camera, 3MP, AF, Day/night, H.265/H.264



Siqua SA-WP10

10 liters washer tank, pump 10 m, float sw, 316L frame
