

DXc Range Data Sheet

1, 2 and 4 loop, networkable, analogue addressable, fire alarm control panel

Product Overview

The Morley-IAS DX Connexion panel is ideally suited for use in the protection of small to medium sized systems. All in all, a compact, high performance, feature rich, economical fire alarm control panel designed to help for both the installer and the end user.

The DX Connexion brings the traditional Morley-IAS qualities of reliability, flexibility and value with advanced features and intuitive functionality.

The DX Connexion range of fire alarm control panels has been developed to be the most time efficient fire panel on the market to install. Simply fix the control panel to the wall, connect the field wiring, power up and follow the on-screen prompts to get a working fire alarm system.



Product Overview (Continued...)

Programming the control panel couldn't be easier; it only takes four key presses to have a working fire alarm system. Text to identify the exact location of each field device can be quickly inserted from the panel's mobile phone style keypad. Alternatively, with the use of the DX Connexion PC tools, text can be input or imported from an Excel document.

All panel features and system cause and effect can be programmed via either the panels large LCD display or by using the Windows configuration tool.

User Interface

Display	6x40 character (240x64 pixels) blue liquid crystal display with backlight illumination
Control Keys	Evacuate, Silence/Resound, Mute Buzzer, Extend Delay, System Reset, Show Alarm Zones
Programmable Key	2 independent programmable function keys and LED indicators
Programming Key	12 button alpha numeric key pad inc cancel and return keys plus 4 navigation keys and an OK key
Indicators	Fire, Fault, Disablement, Test, Buzzer Muted, Delayed Mode, Sounders Silenced, Sounders Disabled and Power. Also dedicated fault LEDs for System Fault, Supply Fault and Earth Fault.



Networking Features

- Network up to 16 loops (16x1 loop panels, 8x2 loop panels, 4x4 loop panels or any mix up to max 16 loops)
- Fault tolerant redundant ring network for high system reliability

Panel Features

- Optional 40 or 80 zone alarm LEDs
- Easy 4 key-press set-up
- Large blue LCD display
- Supports the USB PC upload/download lead
- Mobile phone style keypad and navigation keys
- Option to upload a company logo

Software Features

- PC configuration software (supplied with panel)
- 80 fire zones (can be used with or without LEDs)
- 7 day timers
- Event logging
- Onboard diagnostics
- Class change function
- Coincidence and verification detection for false alarm management
- Sensitivity adjustment e.g. between day and night
- Input/output logic

Hardware Features

- Battery backed real-time clock (2 & 4 loop)
- 2 independent sounder circuits
- 500mA Universal Loop Driver
- 2 x onboard monitored inputs
- Optional programmable keyswitch for select functions
- Plug-in connectors

Output Relays:

Fire relay: Single pole changeover 24V DC 1A
Fault relay: Single pole changeover 24V DC 1A
Aux relay: Programmable single pole changeover 24V DC 1A

Onboard Data Ports:

1 x RS485 (Repeater connection)
1 x PC Programming Port³

Optional Ports:

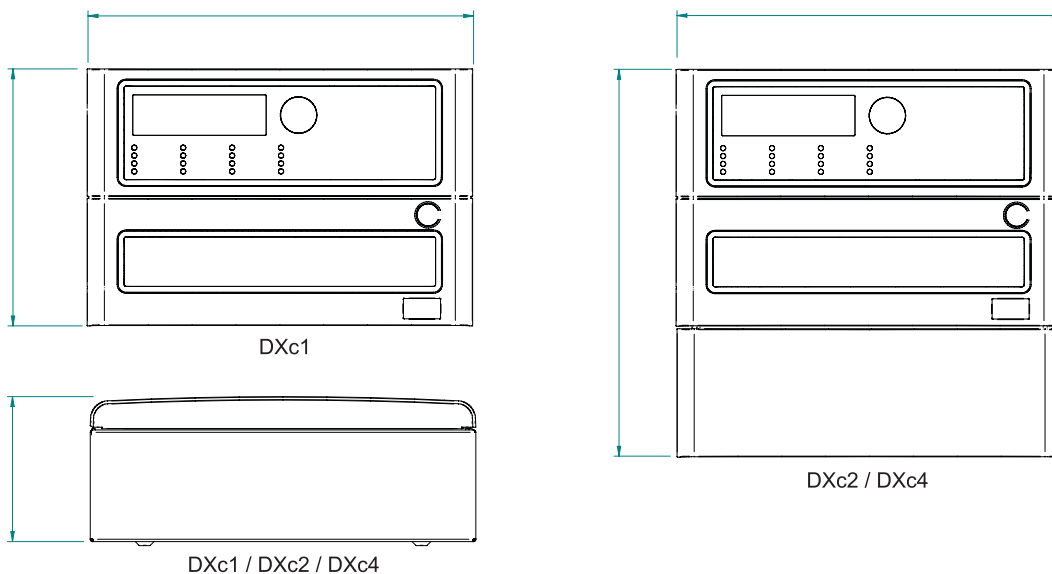
Rs232 third party protocol interface

Sounder Circuits:

2 output circuits, 1A per circuit.¹

Mechanical **DXc1** **DXc2** **DXc4**

Dimensions [mm] (H x W x D)	260 x 390 x 147	391.5 x 390 x 147	391.5 x 390 x 147
Weight (Excluding Batteries)	4kg	4.5kg	4.5kg
Colour	RAL 9002 - Grey white	RAL 9002 - Grey white	RAL 9002 - Grey white
Mounting Holes	3	3	3
Knockouts (20mm)	Top: 25x Bottom: 2x	Top: 25x Bottom: 4x	Top: 25x Bottom: 4x
Operating Temperature	0°C to +40°C	0°C to +40°C	0°C to +40°C
Relative Humidity	5% - 95% non-condensing	5% - 95% non-condensing	5% - 95% non-condensing
	IP30 (EN6059)	IP30 (EN6059)	IP30 (EN6059)
Material	Mild steel sheet rear enclosure. ABS plastic front cover to BS EN60950. All displays and controls are carried on the enclosure door.		



Electrical **DXc1** **DXc2** **DXc4**

Operating Voltage	230V AC (+15%,-15%) 50-60 Hz	230V AC (+15%,-15%) 50-60 Hz	230V AC (+15%,-15%) 50-60 Hz
PSU Rating	24V DC 2A	24V DC 4A	24V DC 4A
Stand-by Batteries ⁴	2 x 7Ah	2 x 17Ah	2 x 17Ah
Stand-by Battery Duration ²	Stand alone: 24 hours back-up with either network card or repeater connected	Stand alone: 48 hours With network card or repeater connected: 48 hours	Stand alone: 48 hours With network card or repeater connected: 24 hours
Auxilliary Output ¹	+24V DC 250mA fused	+24V DC 250mA fused	+24V DC 250mA fused

Notes:

¹ Maximum available current will be dependant on full control panel loading.

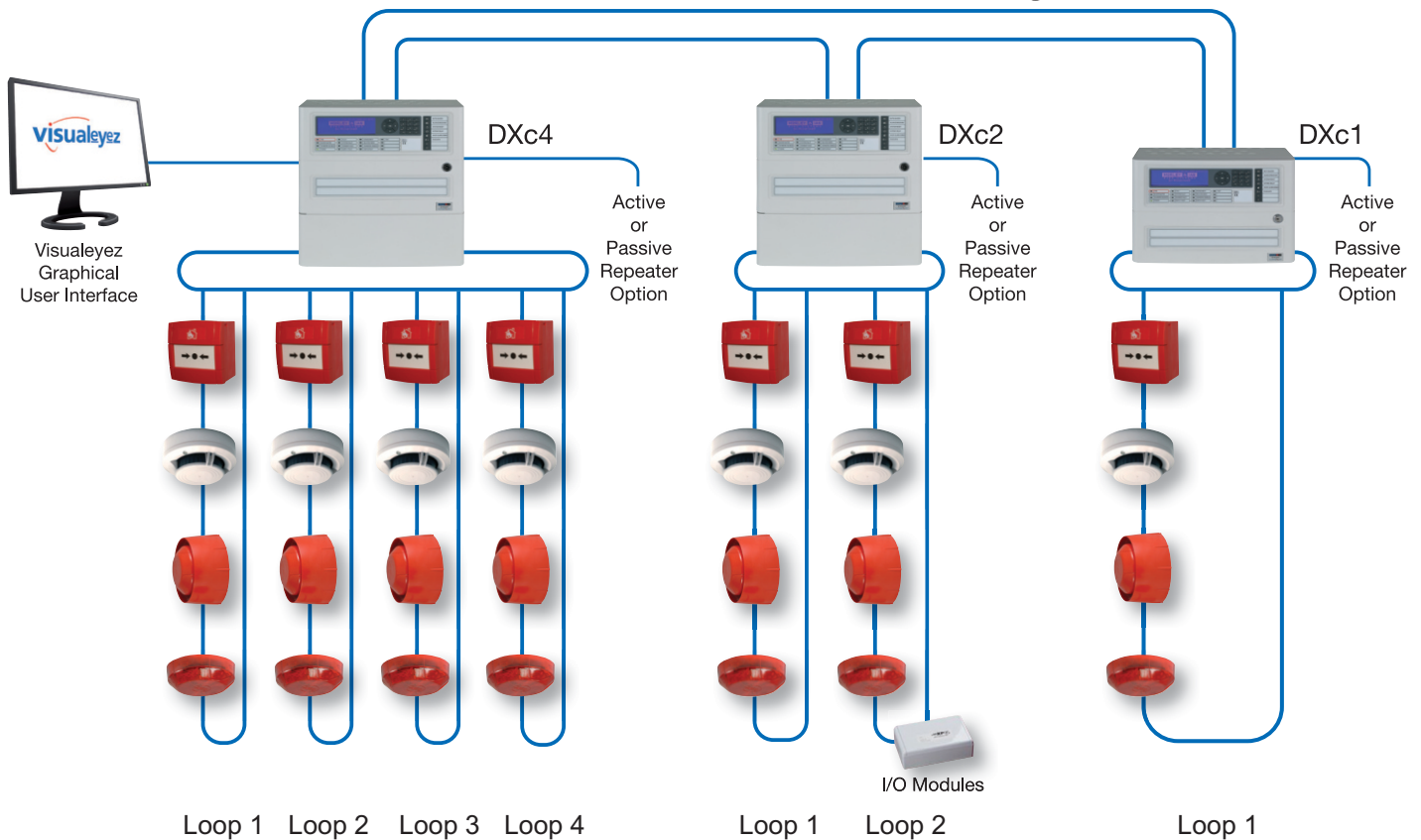
² Stand-by dependent on type and quantity of devices installed.

³ Requires RS232 or USB upload/download lead.

⁴ Not included.

DXc System Example

Fault Tolerant Redundant Ring Network



Part Numbers

Panels

- 714-001-112** DXc1 One loop Fire Alarm Control Panel
714-001-222 DXc2 Two loop Fire Alarm Control Panel
714-001-242 DXc4 Four loop Fire Alarm Control Panel

Accessories

- 795-098** Engineers SPK (Software Programming Kit)
795-099 Network card
795-101 Blank cover kit
795-102 Optional 40 zone LED card kit
795-111 2 loop expansion card

Accessories (cont ...)

- 795-112** Bezel kit for DXc1 (mm: h:342 x w:471.5 x d:13)
795-113 Bezel kit for DXc2/4 (mm: h:473.5 x w:471.5 x d:13)
795-114 Bezel kit for DXc1 plus Extension
795-115 Bezel kit for DXc2/4 plus Extension
795-116 Custom keyplate cover
795-118 Keyswitch kit
795-119 Rack mounting kit DXc1
795-120 Rack mounting kit DXc2/4
795-121 Extension back box
795-122 RS232 Kit (for third party protocol)
795-124 80 zone LED card kit
020-891 USB isolated upload/download lead
See price list Visualeyez options

For further details on these or any other Morley-IAS products please contact your local distributor, Morley-IAS Business Manager or via our contact details found below. Morley-IAS by Honeywell - Providing a control panel solution, for fire industry professionals, committed to supporting our device partners.

Every care has been taken in the preparation of this datasheet but no liability can be accepted for the use of the information therein. Design features may be changed or amended without prior notice. © Morley-IAS by Honeywell 2011



by Honeywell



Honeywell Life Safety
 1st flr, Eco-elite Building,
 Marol-Maroshi Road,
 Near to Saraswat Bank,
 Andheri East,
 Mumbai - 400059. India.

Tel: +91-22-6765 0821
 Fax: +91-22 6765 0730
 Email: Marcom.hls@honeywell.com
 www.morley-ias.co.uk