

IR FLAME DETECTOR



Model DRD-E Flame Detector detects the presence of a flame within its field of view by sensing the infrared radiation emitted.

The DRD-E detector is designed for use where open flaming fires may be expected and responds to the light emitted from flames during combustion. The detector discriminates between flames and other light sources by responding only to particular optical wavelengths and flame flicker frequencies. This enables the detector to avoid false alarms due to such factors as flickering light sources.

Two fixing brackets are available, the YZU-A angled ceiling bracket and the YZU-B fixed angle wall bracket.



YZU-A

(shown with mounting base - not supplied)

▶ Unaffected by convection currents, draughts or wind

▶ Tolerant of fumes, vapours, dust and mist

Fast reacting

▶ Incorporates electronic filter to minimise unwanted alarms

▶ High immunity against electrical noise and radio frequency interference

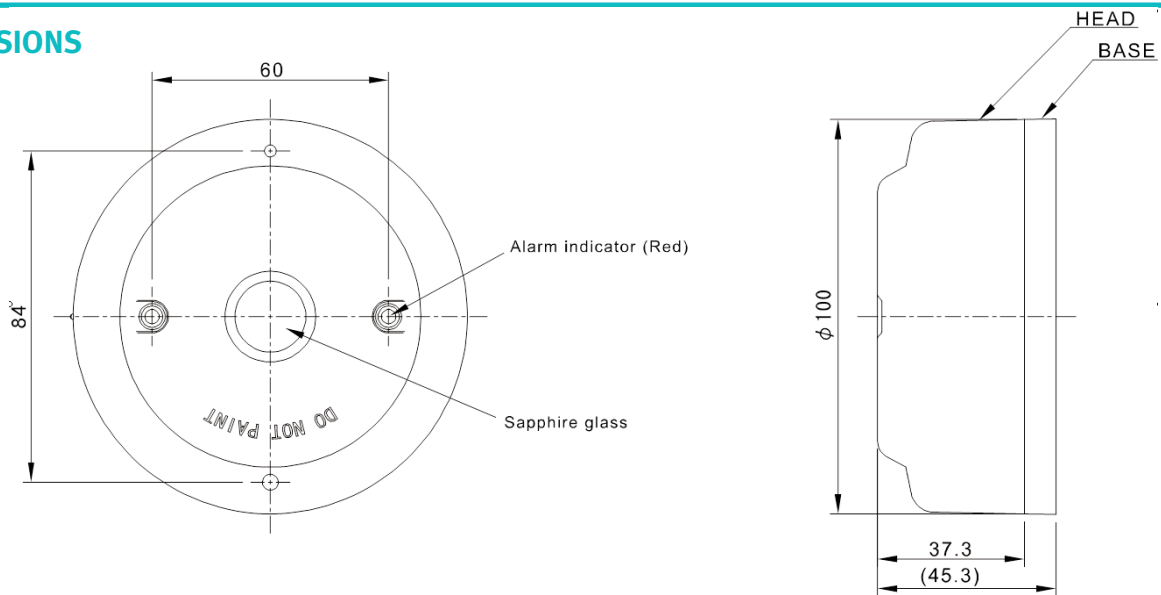
▶ Fits any CDX mounting base



YZU-B

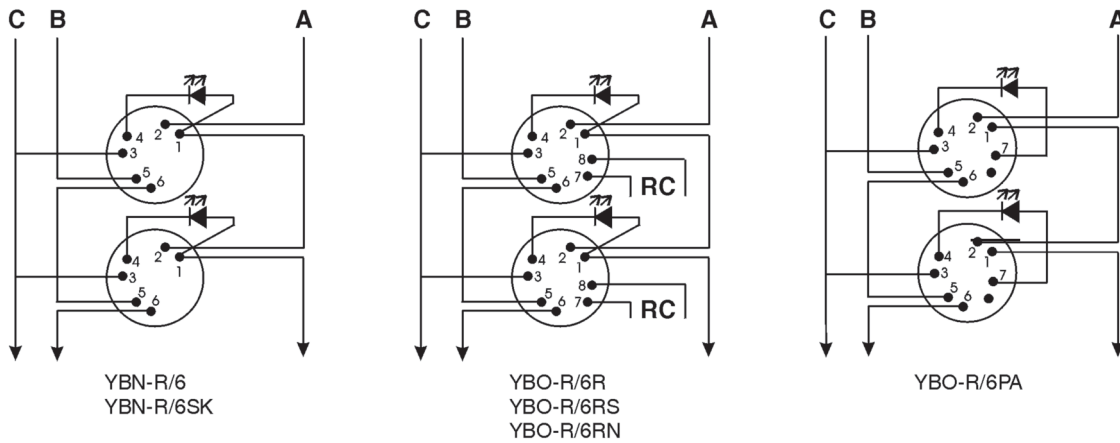


DIMENSIONS



WIRING

KEY: A Zone Wiring +ve, B Zone Wiring -ve, C Cable Screen



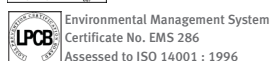
RC Relay Contacts - a flying lead on either terminal 7 or 8 selects either N/C or N/O (supplied as N/C)

Remote Indicator

SPECIFICATION

Ordering codes	DRD-E Flame Detector YZU-A Ceiling Mounting Bracket YZU-B Wall Mounting Bracket
Compatible bases	YBN-R/6, YBN-R/6SK, YBO-R/6RN, YBO-R/6RS, YBO-R/6PA, YBO-R/6R
Operating voltage	15-30 Vdc (Nominal rating 24Vdc)
Standby current	70 uA at 24Vdc
Delay time	15 to 21 seconds
Detection angle	90°Cone
Infrared sensitivity range	Class 1 – 0.1m ² n-heptane at 25m
Maximum current in alarm state	40mA
Remote indicator drive(max)	20mA
Operating temperature range	-10°C to +50°C
Maximum humidity	95%RH - Non condensing (at 40°C)
Colour and case material	Ivory ABS
Weight	125g
Approvals	LPCB & VdS (G210114)

HOCHIKI EUROPE (UK) LIMITED
 Grosvenor Road, Gillingham Business Park,
 Gillingham, Kent, England ME8 0SA
 Telephone: +44 (0)1634 260133
 Facsimile: +44 (0)1634 260132
 e-mail (UK): sales@hochikieurope.com
 e-mail (Non UK): export@hochikieurope.com
 www.hochikieurope.com



Hochiki Europe (UK) Ltd. reserves the right to alter the specification of its products from time to time without notice. Although every effort has been made to ensure the accuracy of the information contained in this document it is not warranted or represented by Hochiki Europe (UK) Ltd. to be a complete and up-to-date description.

PART No. 9-5-0-449/ISS2/JUL12