



IIDHMD-101 High Sensitivity Handheld Metal Detector



Product Instruction

IIDHMD-101 high sensitivity handheld metal detector able to detected the metal with the principle of electromagnetic induction, simply operation, high sensitive, a tiny metal piece like a paper clip can be detected, with sound, buzz and light alarm functions.

Technology Features

- ◆ High speed detection response
- ◆ Auto fault diagnosis without adjustable
- ◆ Sound, buzz and light alarm models
- ◆ High, middle and low sensitivity adjustable. Super sensitive like a tiny metal piece paper clip can be detected
- ◆ The shell use engineering plastics, powerful ability of waterproof, fireproof, anticorrosive and shockproof
- ◆ 24H working normally under open-air, scorching sun, raining

Applications

- ◆ Airport
- ◆ Port
- ◆ Industrial Enterprises
- Bus Station
- Prison
- Metro
- Bank



www.iid2secure.nl
 Extra Benefits, Less Price
 Finestrat,19, 03530 La Nucia, Alicante, Spain
 © IID Secure Tech S.L.U. 2019

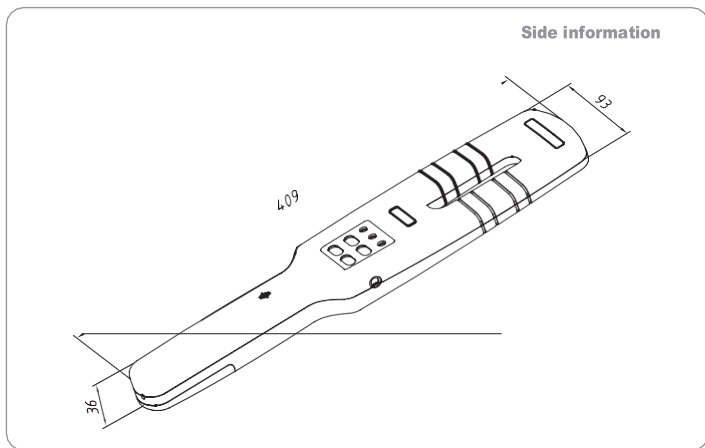
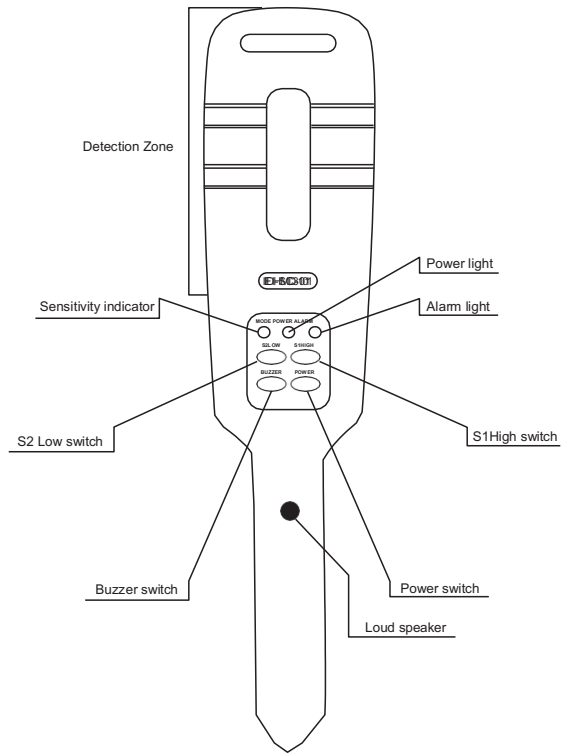
Heemdtedestraat 16 Amsterdam, Netherlands
 Support@iid2secure.nl
 +31614762425
 Data Subject to change without notice

Technology Data

- Detection Sensitivity A paper clip can be detected
- Sensitivity Level..... High, middle and low Sensitivity adjustable.
- Alarm Sound, buzz and light, sound able to turn off

Install Data

- Size/Weight 409 mm (L) x 93mm (W) x 36mm (H) / 350g
- Working Temperature /Humidity-20°C ~+45°C / 0%~95% (non-condensing)
- Storage Temperature/Humidity-40°C ~+ 60°C / 20%~95% (non-condensing)
- Power Supply.....9 V (Alkaline batteries or rechargeable)



Notice : Specifications are subject to change without notice.

