



# IIDMDG-2000V2

## High Sensitivity Digital Walkthrough Metal Detector



### Product Introduction

IIDMDG-2000V2 high sensitivity digital walkthrough metal detectors use excellent electromagnetic testing and digital processing technology with high detection sensitivity of the magnetic metal and nonmagnetic metal and good recognition for personal items such as coins, keys, belt buckle, etc. The highest sensitivity can detect a 20 mm diameter steel ball. It has multi-layered overlapping coil design, with high-brightness LEDs to show the horizontal position of metal objects accurately, which can be easy for operator to make judgment.

### Product Features

- ◆ High detection sensitivity for the magnetic metal, non-magnetic metal and alloy.
- ◆ Having digital pulse technology and stable performance.
- ◆ The class of effective sensitivity is 255.
- ◆ Multiple frequency and high anti-interference performance.
- ◆ Modular design and can be easily installed or maintained.

### Applications

- ◆ Airport
- ◆ Bank
- ◆ Station
- ◆ Venues
- ◆ Factories
- ◆ Tourist attractions



[www.iid2secure.nl](http://www.iid2secure.nl)  
Extra Benefits, Less Price  
Finestrat, 19, 03530 La Nucia, Alicante, Spain  
© IID Secure Tech S.L.U. 2019

Heemdtedestraat 16 Amsterdam, Netherlands  
Support@iid2secure.nl  
+31614762425  
Data Subject to change without notice

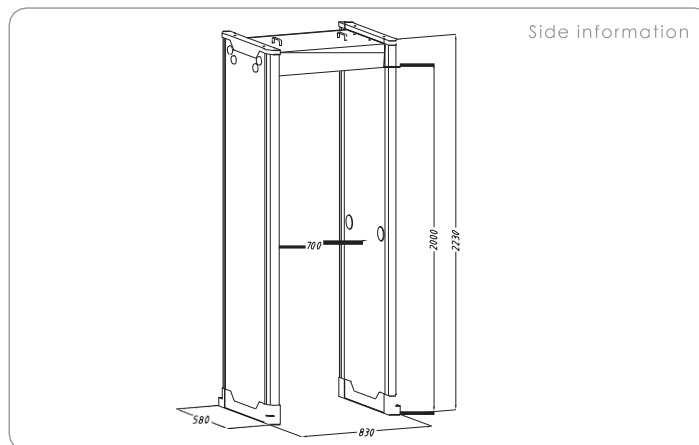


## Technology Data

- Detecting Area..... 6 detecting area, with high-brightness LED alarm, Precise positioning the location of hiding contraband.
- Sensitivity Level..... 255 level adjustable for each detecting area.
- Protection .....Outdoor IP65
- Alarm Setting .....Audible and visual alarm at the same time with 1 to 25 s alarm time and 255 level volume that can be adjusted continuously.
- Display Screen .....High brightness LED display screen shows the passing and alarming number of people.
- Operational Authorization.... Password protection to prevent data from being illegally modified or wrongly operated leading to abnormal work.
- Counting Function .....Intelligent counting function of passenger flow and alarming.
- Diagnostic Function.....Power-on self-test.
- Easy Installation .....Integration design and can be assembled and dismantled in 20minutes.
- Safety ..... No harm to pacemaker wearers, Pregnant woman and magnetic media.

## Installation Data

- Size/Weight ..... 2230mm (L)\*830mm (W)\*580mm (H)/ about 65KG
- Tunnel Size ..... 2000mm (L)\*700mm (W)\*500mm (H)
- Power Supply ..... AC85-264V/50-60HZ
- Power Consumption ..... 12W
- Working Temperature.....-20°C~+60°C



Notice : Specifications are subject to change without notice.



[www.iid2secure.nl](http://www.iid2secure.nl)  
Extra Benefits, Less Price  
Finestrat,19, 03530 La Nucia, Alicante, Spain  
© IID Secure Tech S.L.U. 2019

Heemtedestraat 16 Amsterdam, Netherlands  
Support@iid2secure.nl  
+31614762425  
Data Subject to change without notice