



# IIDX -V150180

## Multi-Energy X-Ray Security Inspection Equipment



### Product Instruction

IIDX-V150180 is a practical large tunnel design x-ray security equipment which has been widely applied for customs, airports and other large cargo venues.

IIDX-V150180 has heavy duty capability through stainless steel rollers and high mobility (and could be easily move to any locations which need the security inspection) through rolling casters.

IIDX-V150180 is an ideal model for large size luggage, air cargo and freight scanning because of its advanced image processing platform and various image processing functions.

### Technology Features

- + Shiny clear images
- + Collection the high-speed parallel of detection data
- 4 Sophisticated design with multi-functions operator interface
- 4 With network interface to achieve total network management
- + High- resolution
- s Support JPG & BMP image transformation format to USB
- 6 Can increase the conveyor speed to 0.3m/s(Customized)

### Applications

- 4 Ai@ort
- 4 'Bus Station
- 4 Pot
- 4 Logistics Warehouse
- CUSTOM



www.iid2secure.nl  
 Extra Benefits, Less Price  
 Finestrat,19, 03530 La Nucia, Alicante, Spain  
 © IID Secure Tech S.L.U. 2019

Heemtedestraat 16 Amsterdam, Netherlands  
 Support@iid2secure.nl  
 +31614762425  
 Data Subject to change without notice

## General Specification

- Tunnel size..... 1550 mm (W) x 1815 mm (H)
- Conveyor Speed.....0.2 m/s
- Conveyor Height..... 352 mm
- Max. Load.....2000 kg (Evenly distributed)
- Resolution.....Typical: AWG 36 Standard: AWG 34
- Penetration(Steel).....Typical: 43 mm Standard: 40 mm
- Spatial Resolution.....Horizontal: 61.3 mm Vertical: 11.3 mm
- Image Resolution..... 22"LED (Single Display)

## Image Processing System

- Display.....Black / White, Color
- Processing Function..... F1/F2/F3 self-definition combination, edge enhancement, negative, partial enhancement, gray scale scan.
- Saves Capacity & Pull back... 100,000 images / infinite review (the previous pictures)
- Resolution..... 1680 ^ 1050
- Processing & Gray Scale.....24Bit real-time processing/65536
- Enlargement.....Up to 64X dynamic continuous zoom & panning

## X-Ray Generator

- Anode Voltage.....200 KV (adjustable)
- B linD R n:i " Cyde""""S led iceooling & 100%
- X-Ray Sensor.....I .Multi-energy L photoelectric diode array detector

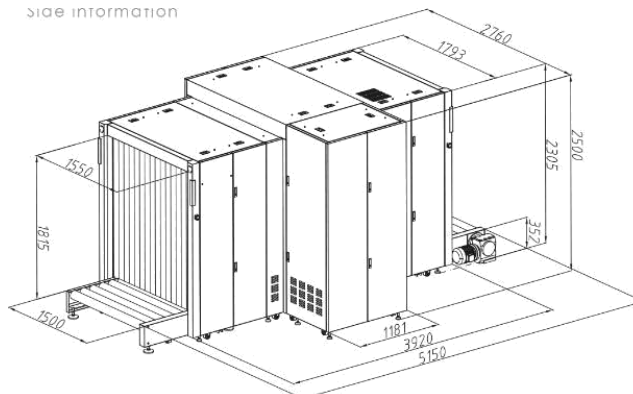
## IPC Configuration

- Standard Function.....Win7; RAM: 2GB; Hard Disk: SOOG; Video Card: 2G;
- Optional Function.....RAM: 4G. BG. 16G; Hard Disk: 1T• 2T; Video Card: 4G. 8G;

## X-Ray Security

- Leakage.....< 1pGy/h (Scm distance from outer), According to the national and international Safety standard
- Film Safety.....According to the ISO1600 (33DIN) High speed standard

side information



## System Function

- Alarm Function
- Browse
- Fault Self-diagnosis and Maintenance Functions
- Image havigation
- Limits of Authority Management for Operator
- System Working Timing
- TIP
- User Management
- Urgent Stop
- Working Status Display
- Image Split Joint
- Single-directional Scanning
- Date & Time Display
- High Density Alarm
- Image Magnification Display
- Luggage Counting
- Network Interface
- One-key Shutdown
- Selfwheck Power-on
- Save and Retrieval
- Save As
- X-Ray Emission
- X-Autosight

## Optional Function

- Bi-directional Scanning
- OTP The Operator Training Program
- Video System
- Voltage Stabilizer
- Voice Recording Function
- Double Display
- UPS Urinterruptible Power Supply
- 1.2m Roller type Roller Tables
- Voice Announcement Function

## Video System

Using the professional video equipment, it can combine x-ray image, specific package and its owner into one system, to help operators review and analysis after crisis. With this extended function, the operators can quickly target the potential suspects. This system is not only user friendly but also has the remarkable effects which win the warm praise from the public security police officers.

## Installation Data

- Sfze..... 5150 mm (L) x 2760 mm (W) x 2500 mm (H)
- WeghL.....3300 KG
- Working Temperature/ Humidity.....0C + 45C 10% 959a (non-condensing)
- Storage Temperature / Humidity.....- 40a + 60C 109'« 95%(norr-condens g)
- PowerSupply.....AC220V crAC380V(+10%-15\*4) 50+3 (Hz)
- Powerconsumptbn..... About2.30 (KVA)



www.iid2secure.nl  
 Extra Benefits, Less Price  
 Finestrat,19, 03530 La Nucua, Alicante, Spain  
 © IID Secure Tech S.L.U. 2019

Heemdtedestraat 16 Amsterdam, Netherlands  
 Support@iid2secure.nl  
 +31614762425  
 Data Subject to change without notice