



urmet



|iPer|
com|

OUTDOOR STATIONS

mikra2

IP EXTERNAL PANEL WITH 1 BUTTON
ON MIKRA2 DESIGN FOR IPERCOM

REF. 1060/21

- > Compact external unit IP single button.
- > Made with strong and high resistant material (Zamak) and IP55 protection grade, the item is provided with color camera, loudspeaker unit and MIFARE proxy key reader.
- > It can manage 2 different doors with the 2 separate outputs on-board. System status indication with backlit icons.
- > PoE power compliant.

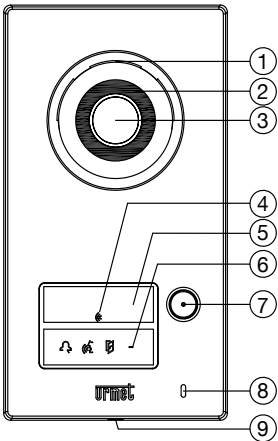


**IP EXTERNAL PANEL WITH 1 BUTTON
ON MIKRA2 DESIGN FOR IPERCOM**
REF. 1060/21



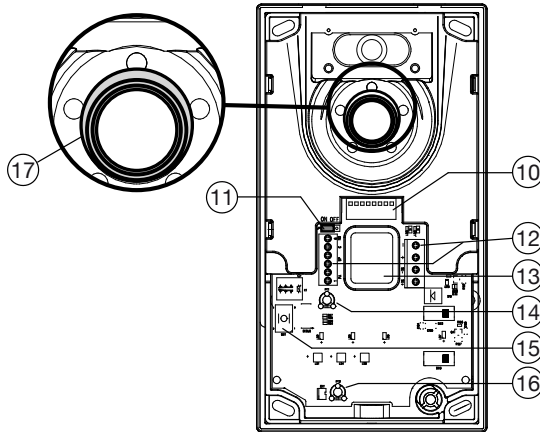
Components description

FRONT VIEW



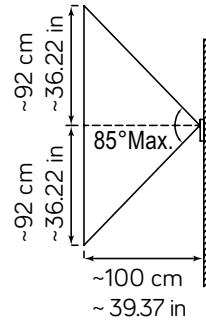
1. Speaker
2. Camera lighting LED
3. Camera
4. Transponder reader
5. Name tag(s)
6. Signalling LEDs dedicated to the DDA function
7. Calling button
8. Microphone
9. Front closing screw

INSIDE VIEW

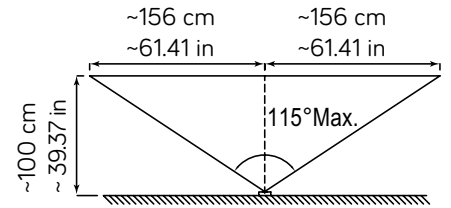


10. Connector for connecting to the LAN
11. Do not change the position of this Jumper
12. Terminal boards
13. Hole for running wires
14. Do not change the position of this trimmer
15. Button for restarting the device
16. Do not change the position of this trimmer
17. Anti-reflection seal

Vertical camera range



Horizontal camera range



Technical specifications

- Power voltage POE: 44 ÷ 57 V
- Local power voltage: 48 V
- Maximum consumption during video calls: 3,5 W
- Maximum stand-by consumption: 2 W
- LAN maximum operating distance (with POE or without POE): 100 m with CAT5 cable
- Max. distance from supplementary power supply: 25 m with wire cross section of minimum 0,5 mm²
- Supported user key type: Mifare (1125/54)
- Name tag dimensions: 48,5 x 15,5 mm - 1,9 x 0,6 in
- Tag and button light: White LEDs
- Dimensions (WxHxD): 100 x 180 x 28 mm - 3,93 x 7,08 x 1,1 in
- Degree of protection of casings: IP55
- Degree of protection from mechanical shocks: IK07
- Working temperature range: -10 °C ÷ +55 °C