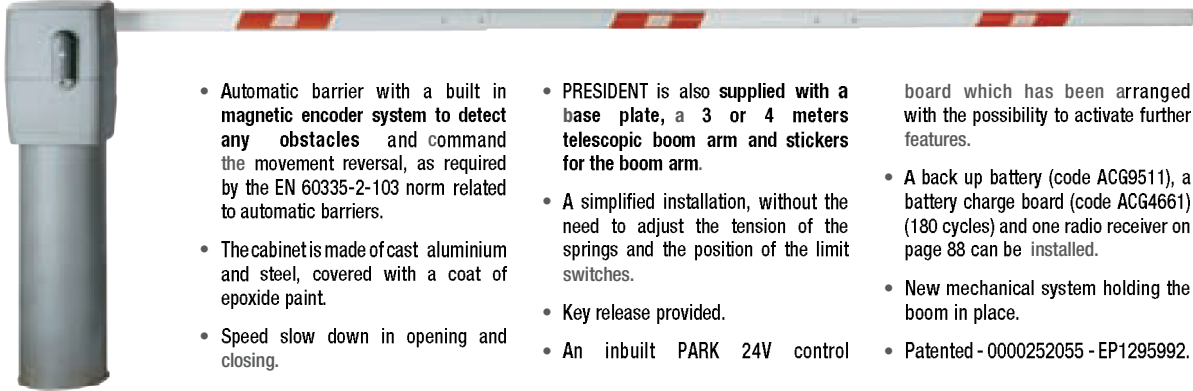


PRESIDENT

TRAFFIC BARRIER

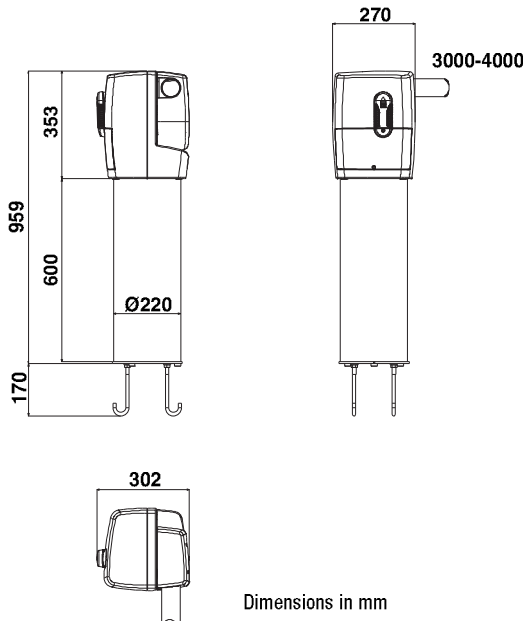


- Automatic barrier with a built in magnetic encoder system to detect any obstacles and command the movement reversal, as required by the EN 60335-2-103 norm related to automatic barriers.
- The cabinet is made of cast aluminium and steel, covered with a coat of epoxide paint.
- Speed slow down in opening and closing.
- PRESIDENT is also supplied with a base plate, a 3 or 4 meters telescopic boom arm and stickers for the boom arm.
- A simplified installation, without the need to adjust the tension of the springs and the position of the limit switches.
- Key release provided.
- An inbuilt PARK 24V control board which has been arranged with the possibility to activate further features.
- A back up battery (code ACG9511), a battery charge board (code ACG4661) (180 cycles) and one radio receiver on page 88 can be installed.
- New mechanical system holding the boom in place.
- Patented - 0000252055 - EP1295992.

WITH BOOM UP TO 4 m LONG - OPENS IN 3 SECONDS

- AA50075B PRESIDENT 24V with PARK 24V, L=3m telescopic boom arm, base plate and stickers
- AA50077B PRESIDENT 24V with PARK 24V, L=4m telescopic boom arm, base plate and stickers

* PARK 24V - To see all its many features see pages 94 and 97



TECHNICAL DATA

		PRESIDENT	
		3	4
Max. boom lenght	m	3	4
Opening time	s	3	3,5
Max. torque	Nm	100	130
Power supply	V	230	
Power absorbed	A	0,32	
Actuator weight	kg	40	
Protection grade	IP	44	
Operating temperature	°C	-10 ÷ +55	
Daily cycles suggested		600	
Service		100%	
Nr of consecutive cycles guar.		600	400