

ZTB6B, ZTB8B & ZTB8B/WP Fire Alarm Bells

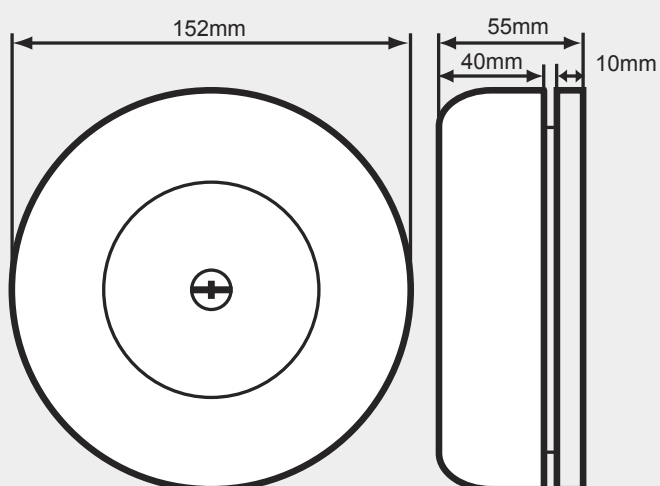


The Zeta motorised fire alarm bells combine styling and functional efficiency. They incorporate a low power rotary centrifugal mechanism, which gives a high sound output with low current consumption at 24V dc.

The bells are available in 2 sizes; 6" (152mm) and 8" (203mm). These sizes suit a wide variety of installations.

There is a 230V ac version of the 6" bell, and a 24V dc Weatherproof version of the 8" bell.

- Low current
- Universally accepted fire evacuation signal



MODEL	ZTB6B	ZTB6B/230	ZTB8B	ZTB8B/WP
PART NO	41-003	41-004	41-005	41-006
SUPPLY VOLTAGE	18-30V dc	200-250V AC	18-30V dc	
DIAMETER	6" (152mm)		8" (203mm)	
QUIESCENT CURRENT	25mA		28mA	
NOMINAL OUTPUT @ 1m	95dB(A)		97dB(A)	
DIMENSIONS	152 x 152 x 55 mm		203 x 203 x 55 mm	
WEIGHT	860g	960g	1700g	1800g